

# BR-6144 Series

## LED Architectural Column

Type:

Catalog Number:

Project/Location:

Approved By:

### SPECIFICATIONS

**Housing:** Heavy-duty construction of corrosion resistant round and rectangular aluminum extrusions. Stainless steel hardware.

**Gasket:** Closed cell silicone foam gasket. Seals out moisture, dust, and insects for weather-tight operation.

**Mounting:** Integral base secured with 3/4" x 17 anchor bolts.

**Lens:** 1/8" thick UV stabilized frosted acrylic lens. Aluminum lamp housing.

**Driver:** Constant current and Universal input voltage 120-277V, 50-60Hz line voltage frequency. Operating temperature -20°C to 40°C, Power Factor  $\geq .90$ .

**LED:** 3000 (30K).

**Lumens:** 4500.

**Finish/Colors:** Zinc based primer with polyester powder coat finish in Matte Black (MB), Matte White (MW), Matte Bronze (BZ), Silver Gray (SG), or a custom color (CC).

**Testing:** LM79, LM80, ETL.

Conforms to UL Standard 1598. Suitable for wet locations.

*See options page for additional information or consult factory.*

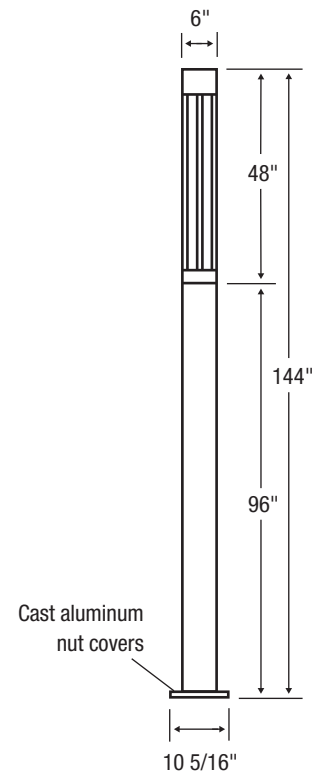
*60W, 120 V symmetric distribution.*



Series	Source	Wattage/Max
BR-6144	LED	60

### ORDERING EXAMPLE

BR-6144 – 60LED – 30K – 120 – BZ



10 5/16"

## ELCAST LIGHTING

815 S. Kay Ave., Addison, IL 60101 USA • 630.543.5390  
www.ElcastLtg.com • ElcastLtg@ElcastLtg.com

**Made in USA** – 5 year limited warranty

©2017. Specifications are subject to change without notice. Consult factory for verification.

REV 11-19