

IGP-4W Series

LED Architectural Inground Mount

Type:

Catalog Number:

Project/Location:

Approved By:

SPECIFICATIONS

Housing: Heavy-duty construction of corrosion resistant aluminum.

Gasket: Closed cell silicone foam gasket. Seals out moisture, dust and insects for weather-tight operation.

Mounting: Inground.

Lens: One piece molded white opal, impact resistant polycarbonate lens.

Driver: Solid state electronic constant current. Input voltage 120 or 12/24 Volt only. Operating temperature -20°C to 40°C, Power Factor $\geq .90$.

LED: Specify amber (A), blue (B), green (G), red (R), or 3000 (30K), 3500 (35K), 4000 (40K), and 5000K (50K). 40K Standard.

Lumens: 120.

Finish/Colors: Zinc based primer with polyester powder coat finish in Matte Black (MB), Matte White (MW), Matte Bronze (BZ), Silver Gray (SG), or a custom color (CC).

Testing: LM79, LM80, ETL.

Conforms to UL Standard 1598. Suitable for wet locations.

See options page for additional information or consult factory.



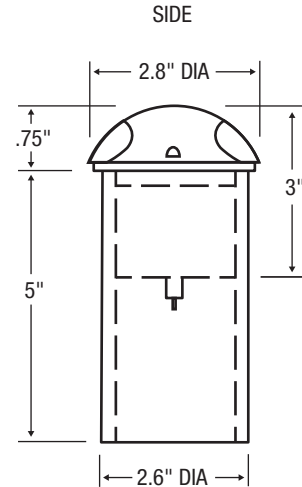
Series	Source	Max Wattage
IGP-4W	LED	4W

ORDERING EXAMPLE

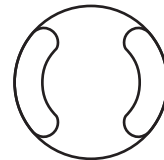
IGP-4W – 40K – 12V – MB



Shown with optional sleeve



TOP



ELCAST LIGHTING

815 S. Kay Ave., Addison, IL 60101 USA • 630.543.5390
www.ElcastLtg.com • ElcastLtg@ElcastLtg.com

Made in USA – 5 year limited warranty

©2017. Specifications are subject to change without notice. Consult factory for verification.