

# IGP-18W Series

## LED Architectural Inground Mount

Type:

Catalog Number:

Project/Location:

Approved By:

### SPECIFICATIONS

**Housing:** Heavy-duty construction of corrosion resistant aluminum.

**Gasket:** Closed cell silicone foam gasket. Seals out moisture, dust and insects for weather-tight operation.

**Mounting:** Inground.

**Lens:** One piece molded white opal, impact resistant polycarbonate lens.

**Driver:** Solid state electronic constant current. Input voltage 120 or 12/24 Volt only. Operating temperature -20°C to 40°C, Power Factor  $\geq .90$ .

**LED:** Specify amber (A), blue (B), green (G), red (R), or 3000 (30K), 3500 (35K), 4000 (40K), and 5000K (50K). 40K Standard.

**Lumens:** 540.

**Finish/Colors:** Zinc based primer with polyester powder coat finish in Matte Black (MB), Matte White (MW), Matte Bronze (BZ), Silver Gray (SG), or a custom color (CC).

**Testing:** LM79, LM80, ETL.

Conforms to UL Standard 1598. Suitable for wet locations.

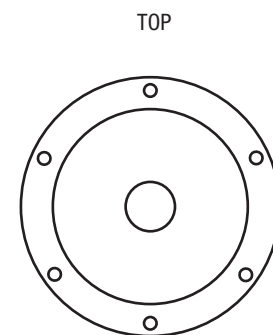
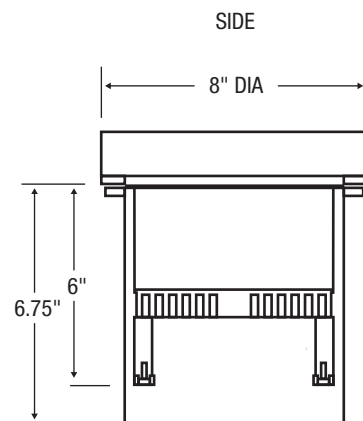
See options page for additional information or consult factory.



Series	Source	Max Wattage
IGP-18W	LED	18W

### ORDERING EXAMPLE

IGP-18W – 40K – 12V – SS



## ELCAST LIGHTING

815 S. Kay Ave., Addison, IL 60101 USA • 630.543.5390  
www.ElcastLtg.com • ElcastLtg@ElcastLtg.com

**Made in USA** – 5 year limited warranty

©2017. Specifications are subject to change without notice. Consult factory for verification.

REV 5-21