

BSP-40 Series

Architectural Security Bollard

Type:

Catalog Number:

Project/Location:

Approved By:



SPECIFICATIONS

Housing: Heavy-duty construction of corrosion resistant cast aluminum. Stainless steel hardware.

Gasket: Closed cell silicone foam gasket. Seals out moisture, dust, and insects for weather-tight operation.

Mounting: 3/8" Mounting Plate secures with 3/8"x6" galvanized anchor bolts. Inside plate to accept and locate 4" DIA steel pipe-post (by others).

Lens: 1/8" thick Opal UV stabilized acrylic lens.

Driver: Constant current and Universal input voltage 120-277V, 50-60Hz line voltage frequency. Operating temperature -20°C to 40°C, Power Factor $\geq .90$.

LED: Specify amber (A), blue (B), green (G), red (R), or 3000 (30K), 3500 (35K), 4000 (40K), and 5000K (50K). 40K Standard.

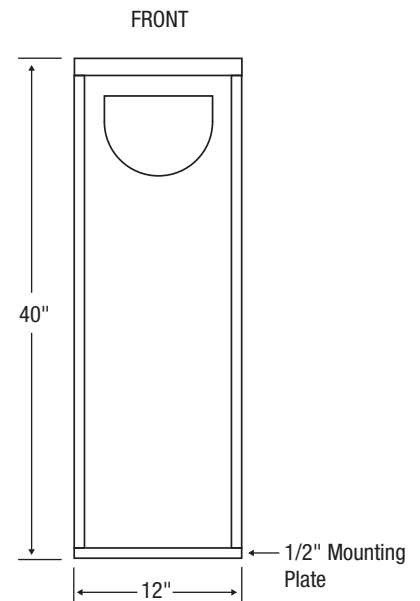
Lumens: 840.

Finish/Colors: Zinc based primer with polyester powder coat finish in Matte Black (MB), Matte White (MW), Matte Bronze (BZ), Silver Gray (SG), or a custom color (CC).

Testing: LM79, LM80, ETL.

Conforms to UL Standard 1598. Suitable for wet locations.

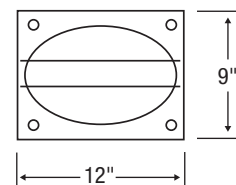
See options page for additional information or consult factory.



Series	Source	Wattage/Max
BSP-40	LED	24W

ORDERING EXAMPLE

BSP-40 – 24WLED – 40K – UNV – BZ



ELCAST LIGHTING

815 S. Kay Ave., Addison, IL 60101 USA • 630.543.5390
www.ElcastLtg.com • ElcastLtg@ElcastLtg.com

Made in USA – 5 year limited warranty

©2017. Specifications are subject to change without notice. Consult factory for verification.

REV 05-24